

# INFORMATION FOR LIMITED DISTRIBUTION



## Technical Bulletin

Ref: **TB-16016-ENG**

Issue date: **October 2016**

Product: INOmax DS<sub>IR</sub><sup>®</sup> Plus MRI

Priority: Low

Affected parts: Operation Manuals

Classification: Information for Limited Distribution

Subject: **MR Conditional Ventilator Validation Testing**

---

This technical bulletin is written to advise clinicians that the following ventilators have been validated for use with the INOmax DS<sub>IR</sub> Plus MRI in the 1.5 and 3.0 tesla scanner rooms, using the configuration shown below:

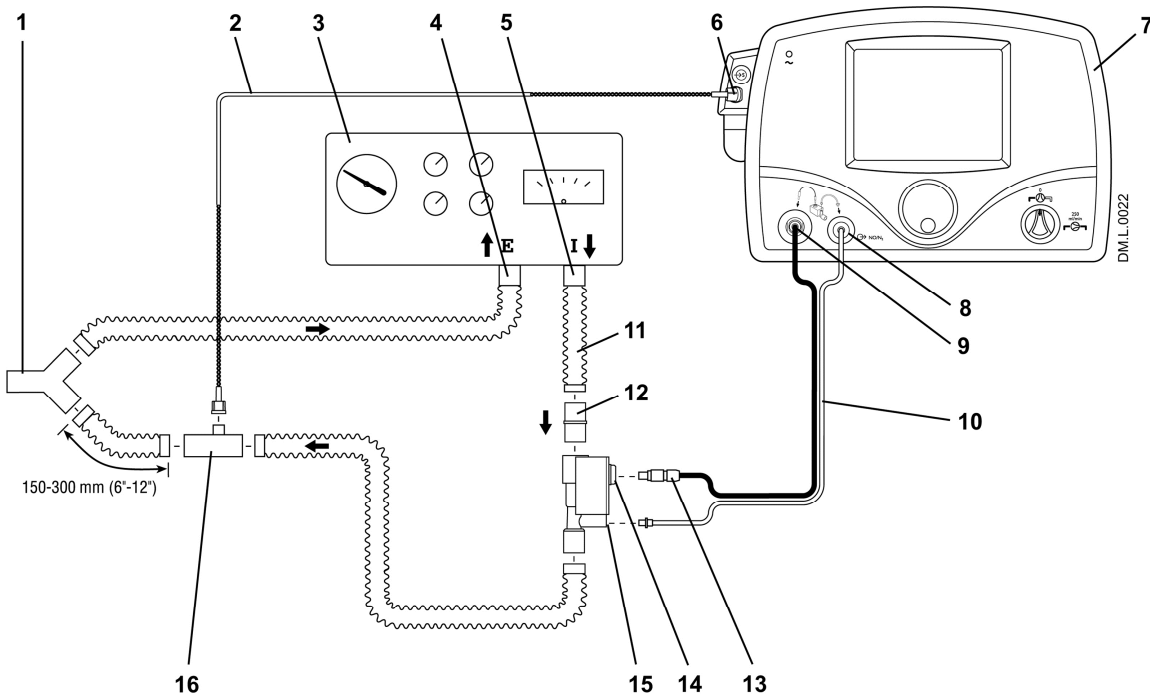
- Hamilton MR1
- Smiths Medical babyPAC

Proper use of these products depends on careful reading and understanding of labeling and instructions. Please refer to the INOmax DS<sub>IR</sub> Plus MRI operation manual for guidance. Also refer to the specific ventilator or breathing device operation manual or instructions for use.

**WARNING: Persons using this device should be trained and experienced in the use of this device, to assure effective administration of nitric oxide, and to avoid injury to the patient or to others resulting from inhalation of excess nitric oxide, nitrogen dioxide or other reaction products.**

The following diagram is for connecting the INOmax DS<sub>IR</sub> Plus MRI into the Hamilton MR1 and Smiths Medical babyPAC breathing circuit:

**Note: Hamilton coaxial breathing circuits REF: 260087 and REF: 260094 cannot be used with the INOmax DS<sub>IR</sub> Plus MRI. The injector module and patient gas sample line cannot be appropriately placed into these circuit types. Use a standard circle breathing circuit (see figure below).**



- |  |  |
|--|--|
| <ul style="list-style-type: none"> <li>1. Patient Wye</li> <li>2. MR Patient Gas Sample Line with Nafion</li> <li>3. MR Conditional Ventilator</li> <li>4. MR Conditional Ventilator Expiratory Port</li> <li>5. MR Conditional Ventilator Inspiratory Port</li> <li>6. MR Patient Gas Sample Line Input Connection</li> <li>7. INOmax DSIR Plus MRI</li> <li>8. MR NO/N<sub>2</sub> Injector Tube Front Panel Connection</li> </ul> | <ul style="list-style-type: none"> <li>9. MR Injector Module Electrical Cable Front Panel Connection</li> <li>10. MR Injector Module Electrical Cable</li> <li>11. Corrugated Tubing (approx. 6 inches)</li> <li>12. 22M/15F X 22M/15F Adapter</li> <li>13. MR NO/N<sub>2</sub> Injector Tube</li> <li>14. MR Injector Module Electrical Cable Connection</li> <li>15. MR Injector Module NO/N<sub>2</sub> Injector Tube Connection</li> <li>16. Gas Sample Tee</li> </ul> |
|--|--|

For technical assistance regarding the INOmax DS<sub>IR</sub>, please contact technical support at 1-877-566-9466 (North America) or your specific country manager.

Mallinckrodt Manufacturing LLC  
6603 Femrite Drive,  
Madison, WI 53718-6801 USA

Mallinckrodt, the "M" brand mark and the Mallinckrodt Pharmaceuticals logo are trademark of a Mallinckrodt company. Other brands are trademarks of a Mallinckrodt company or their respective owner. ©2016 Mallinckrodt

Ref. TB-16016-ENG Created 10-2016  
PN 21205, rev. 01