

Technical Bulletin

Ref: **TB-12012**

Issue date: **February 2022**

Product: INOmax[®] DS / INOmax DS_{IR}[®] / INOblender[®]

Priority: Low

Affected parts: Breathing Device Testing

Classification: Information for Distribution

Subject: **Breathing Device Applications**

This technical bulletin is written to advise clinicians that the following breathing devices have been validated for use with the INOmax DS/INOmax DS_{IR} and INOblender using the configurations shown below:

INOmax DS/ INOmax DS_{IR}

- A-Plus Medical Babi-Plus Bubble CPAP
- Fisher&Paykel Infant Nasal Cannula Circuit
- Fisher&Paykel Optiflow

INOblender

- Fisher&Paykel Neopuff

Proper use of these products depends on careful reading and understanding of labeling and instructions. Please refer to the INOmax DS, INOmax DS_{IR} and INOblender operation manuals for guidance. Also refer to the specific breathing device operation manual or instructions for use.

INOmax DS/INOmax DS_{IR} Warnings:

- **The INOmax DS / INOmax DS_{IR} subtracts gas from the breathing circuit via the gas sampling system at 230 mL per minute; this can affect the sensitivity of a flow triggered synchronized breath mode of some ventilators. The trigger sensitivity of the ventilator should be checked after connecting the INOmax DS / INOmax DS_{IR} to the breathing circuit.**
- **Patient disconnect and high-pressure alarms are required for the ventilator.**

INOblender Warnings:

- **The purge procedure must be followed to help ensure NO₂ is purged from the pressure regulator, INOblender and hoses before the manual resuscitator bag or nasal cannula is connected to the patient. The manual bag should be squeezed continuously during use to avoid NO₂ building up in the bag. If the bag is not squeezed continuously while delivering INOMAX[®], the bag should be removed from the patient and the purge procedure performed before continuing.**
- **Persons using this device should be trained on and experienced in the use of this device to assure effective administration of INOMAX and to avoid injury to the patient or others resulting from inhalation of excess INOMAX, nitrogen dioxide or other reaction products.**

INOMax DS/INOMax DS_{IR} Cautions:

- Insert the Injector Module on the dry side of the breathing circuit prior to the humidifier (this will ensure correct flow measurement).
- Avoid medications interfering with the gas monitoring system; administer any aerosolized medications distal to the sampling tee.

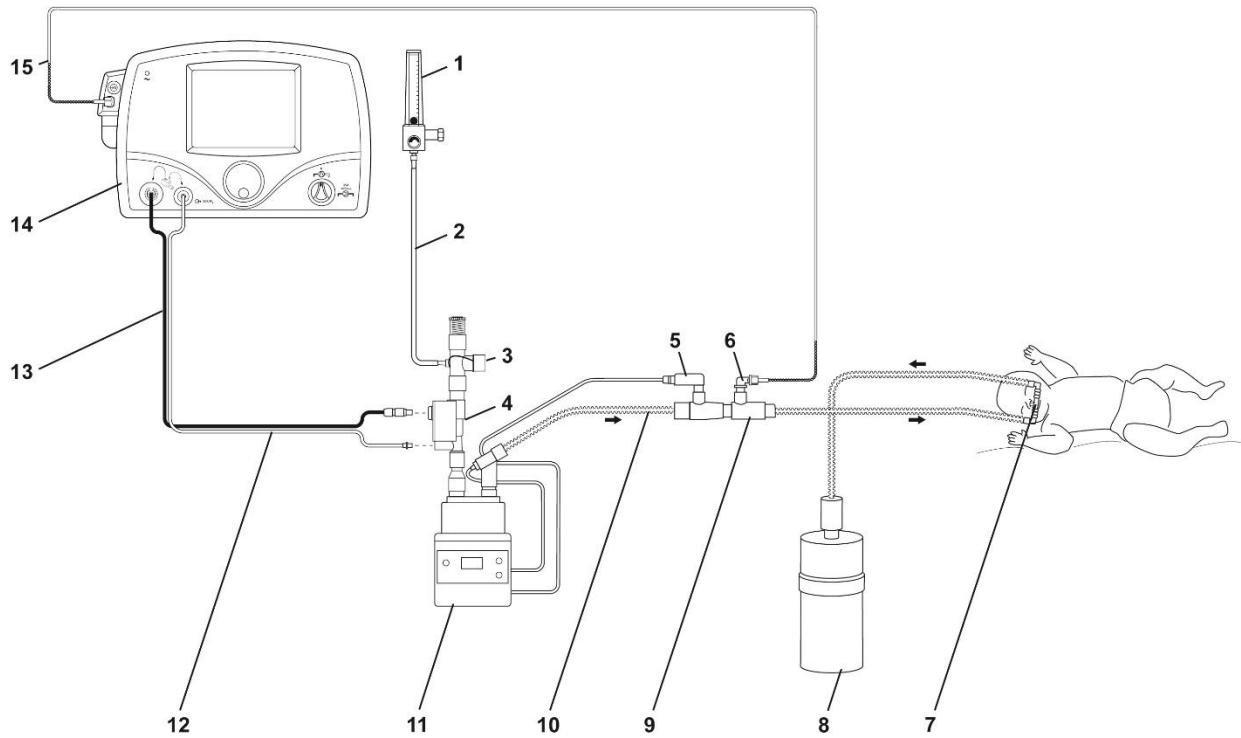
INOblender Cautions:

- Refer to the manufacturer's procedures for using the resuscitation bag. When finished, turn the INOMAX cylinder off and continue to flow O₂ until the NO pressure gauge reads zero, then turn the O₂ flow off and the NO dial to zero ppm.

Note: Connections to various ventilators as well as their corresponding disposable circuits, are unique to each manufacturer. Please refer to the specific breathing device operation manual or instructions for use for guidance.

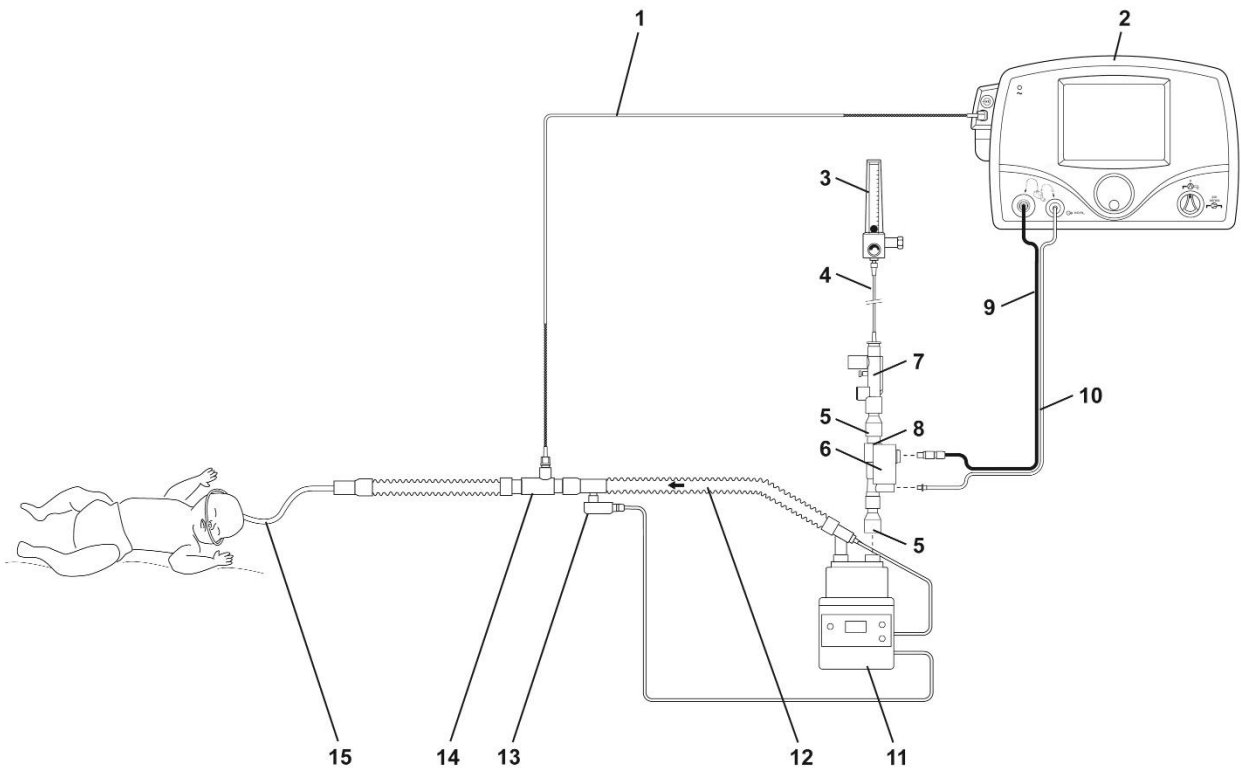
Following are diagrams for connecting the INOMax DS, INOMax DS_{IR} and INOblender into the breathing circuit.

INOmax DS/INOmax DS_{IR} use with the A-Plus Medical Babi-Plus Bubble CPAP



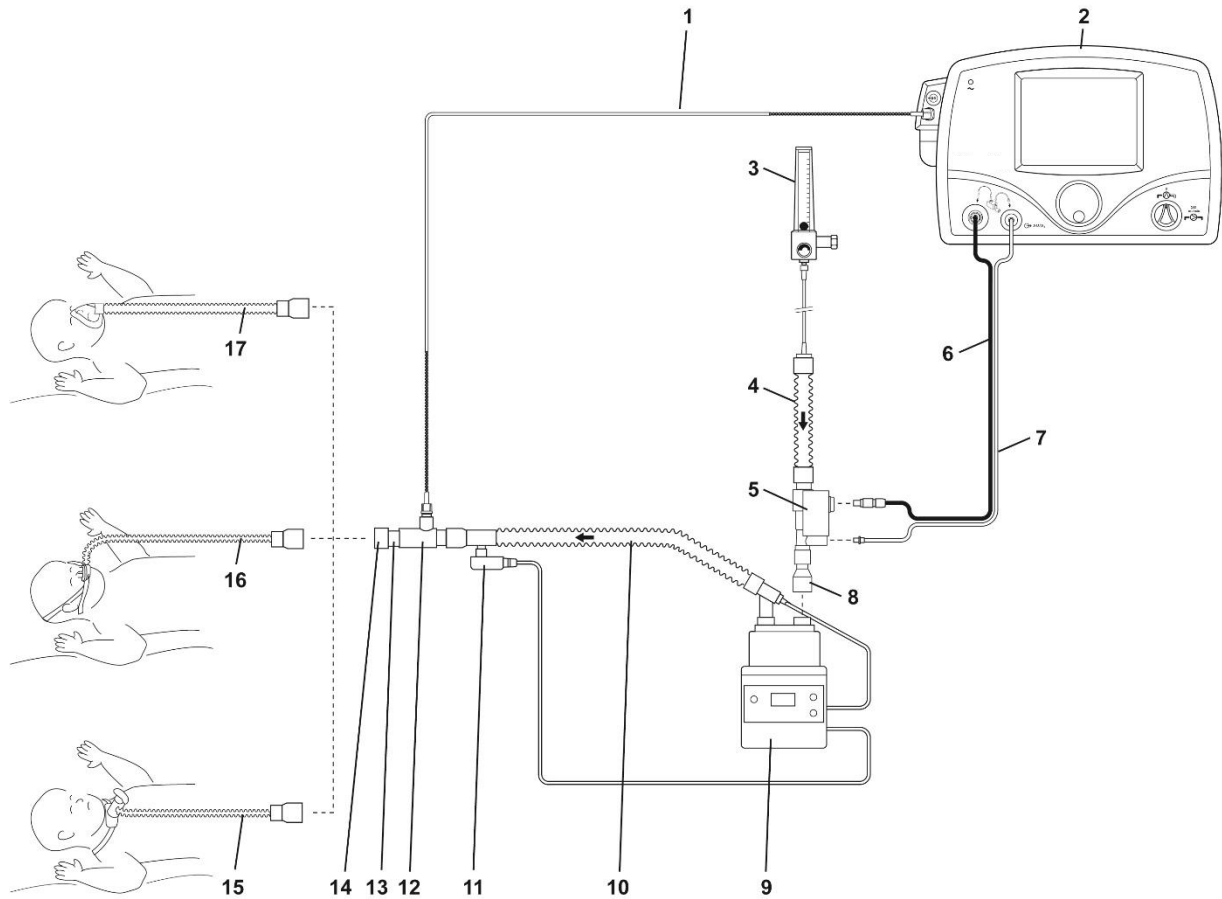
- | | |
|----------------------------------|--|
| 1. Oxygen Source | 9. Tee Adapter |
| 2. Oxygen Tubing | 10. Breathing Circuit |
| 3. Pressure Relief Manifold | 11. Humidifier |
| 4. Injector Module | 12. NO/N ₂ Injector Tube |
| 5. Temperature Probe | 13. Injector Module Electrical Cable |
| 6. 90 Degree Sample Port Adapter | 14. INOmax DS _{IR} [®] |
| 7. Nasal Prongs | 15. Patient Gas Sample Line with Nafion |
| 8. Babi Plus Bubble PAP Valve | |

INOmax DS/INOmax DS_{IR} use with the Fisher&Paykel Infant Circuit Nasal Cannula



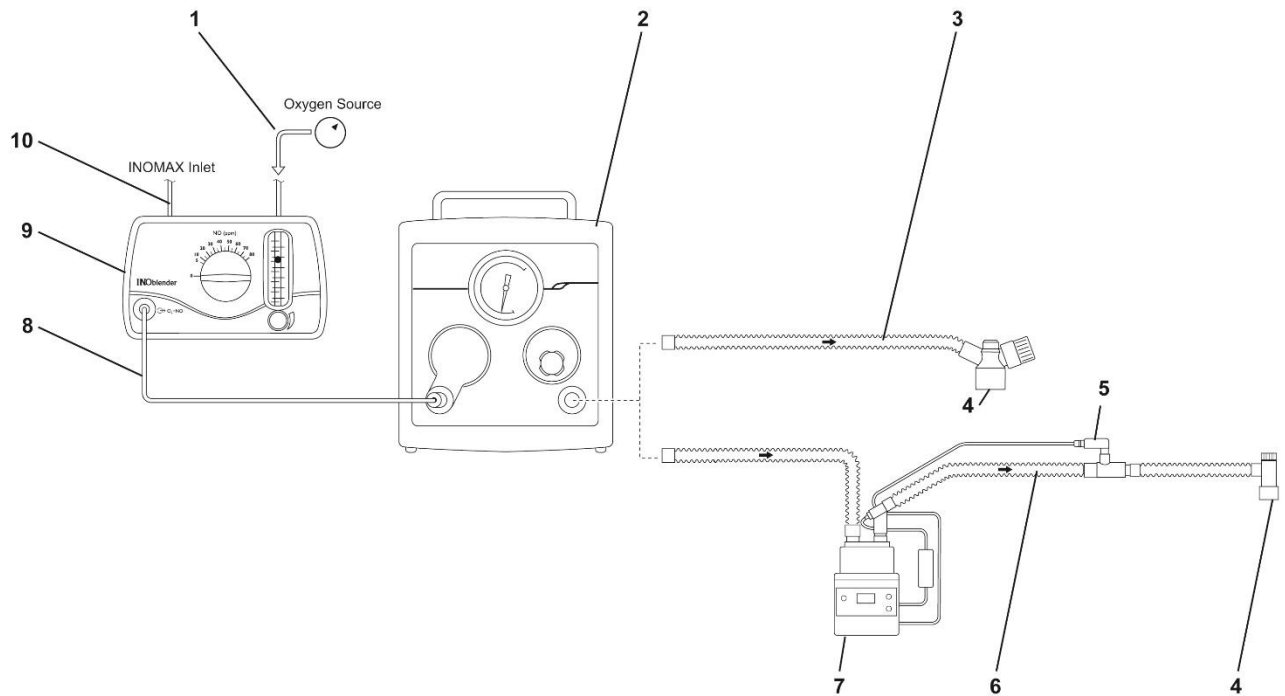
- | | |
|---|-------------------------------------|
| 1. Patient Gas Sample Line with Nafion | 9. Injector Module Electrical Cable |
| 2. INOmax DS _{IR} [®] | 10. NO/N ₂ Injector Tube |
| 3. Oxygen Source | 11. Humidifier |
| 4. Oxygen Tubing | 12. Breathing Circuit |
| 5. 22F X 15M Adapter | 13. Temperature Probe |
| 6. Injector Module | 14. Gas Sample Tee |
| 7. Pressure Relief Manifold | 15. Nasal Cannula |
| 8. 22M/15F X 22M/15F Adapter | |

INOMax DS/INOMax DS_{IR} use with the Fisher&Paykel Optiflow Breathing Circuit



- | | |
|---|--------------------------------------|
| 1. Patient Gas Sample Line with Nafion | 10. Breathing Circuit |
| 2. INOMax DS _{IR} [®] | 11. Temperature Probe |
| 3. Oxygen Source | 12. Gas Sample Tee |
| 4. Breathing Circuit Hose | 13. 22M/15F X 22M/15F Adapter |
| 5. Injector Module | 14. 22 mm ID X 22 mm ID Cuff Adapter |
| 6. Injector Module Electrical Cable | 15. Optiflow Tracheostomy |
| 7. NO/N ₂ Injector Tube | 16. Optiflow Nasal Cannula |
| 8. 22F X 15M Adapter | 17. Optiflow Mask |
| 9. Humidifier | |

INOblender use with the Fisher&Paykel Neopuff Resuscitator



- | | |
|---|--|
| 1. Oxygen Source | 6. Humidified Resuscitation System Circuit |
| 2. Neopuff | 7. Humidifier |
| 3. T-Piece Circuit (with Duckbill Port) | 8. Oxygen Tubing |
| 4. Patient Connection | 9. INOblender |
| 5. Temperature Probe | 10. INOMAX® Inlet |

For technical assistance regarding the INOmax DS/INOmax DS_{IR} or INOblender, please contact technical support at 1-877-566-9466 (North America) or your specific country manager.

Mallinckrodt Manufacturing LLC
6603 Femrite Drive,
Madison, WI 53718-6801 USA

Mallinckrodt, the "M" brand mark and the Mallinckrodt Pharmaceuticals logo are trademark of a Mallinckrodt company. Other brands are trademarks of a Mallinckrodt company or their respective owner. ©2016 Mallinckrodt



Europe
European Authorized Representative
MDSS GmbH
Schiffgraben 41
30175 Hannover, Germany

