

## Technical Bulletin

Ref: **TB- 13006**

Product: INOcal<sup>®</sup>

Affected parts: INOcal Tubing Assembly

Subject: INOcal Tubing Assembly Change

Issue date: **February 2022**

Priority: Low

Classification: Information for Distribution

This Technical Bulletin describes changes to the INOcal tubing assembly used during high calibration of the INOmax DS<sub>IR</sub>.

- A robust tubing material (super-thane) replaces the current silicone tubing
- An adapter (see #4 below) is needed to connect the tubing assembly to the older style INOcal regulators that have a larger bore outlet.
- A new compact tubing configuration changes the orientation of the check-valve and luer connector

### Caution:

- This device is restricted to sale by or on the order of a medical practitioner.
- Only use INOcal regulator with INOcal calibration gas.
- Do not use regulator with cylinder pressures that exceed the maximum gauge pressure.

### Instructions

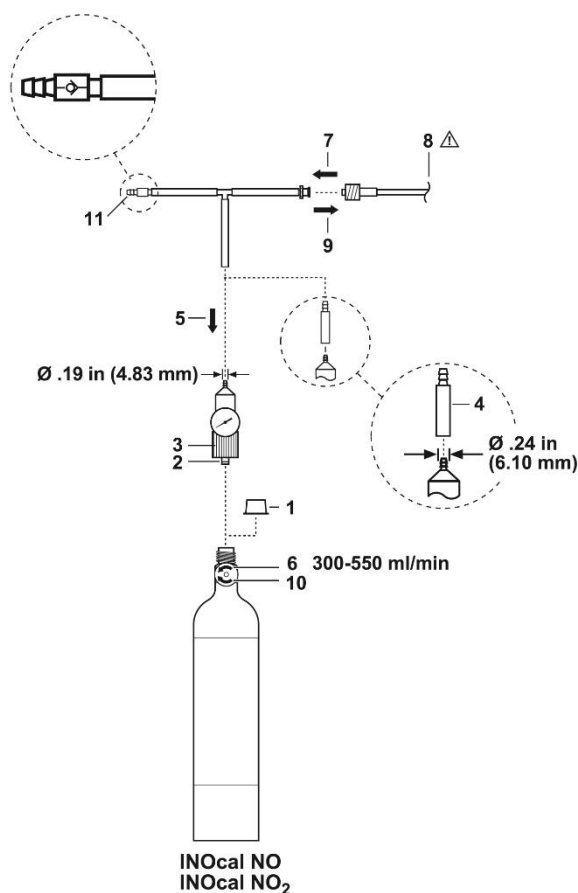
(Step numbers refer to the drawing)

1. Remove cylinder cap and inspect for damaged threads and contaminants.
2. Check seal on regulator. Make sure it is correctly in place and undamaged.
3. Attach regulator to cylinder (Turn regulator nut counter-clockwise to tighten).
4. NOTE: Tubing adapter will be required if regulator outlet diameter measures .24 in (6.10 mm).
5. Attach tube kit to regulator outlet.
6. Turn on/off valve counter-clockwise to flow gas.
7. Attach tube kit to monitor sample line.
8. Calibrate the monitor.
9. Remove sample line from tube kit.
10. Turn on/off valve clockwise to stop gas flow.

Note: Open to atmosphere and make sure one-way valve is not blocked (see #11 in diagram).

Mallinckrodt Manufacturing LLC  
6603 Femrite Drive,  
Madison, WI 53718-6801 USA

Mallinckrodt, the "M" brand mark and the Mallinckrodt Pharmaceuticals logo are trademark of a Mallinckrodt company. Other brands are trademarks of a Mallinckrodt company or their respective owner.  
©2016 Mallinckrodt





**Europe**

European Authorized Representative  
MDSS GmbH  
Schiffgraben 41  
30175 Hannover, Germany

