



## Technical Bulletin

Ref: **TB-20003-ENG**

**Issue date:** 2020

**Products:** INOmax DS<sub>IR</sub><sup>®</sup> Plus,

Investigational Blinded NO Delivery System,

Investigational NO Delivery System for Human Use Only and

Investigational NO Delivery System for Animal Use Only

**Affected parts:** Gas Delivery Systems Compatibility

**Priority:** Low

**Classification:** Information for General Distribution

**Subject:** Validated Ventilators - Special Instructions

-----  
This technical bulletin is written to advise clinicians that the Airvo 2 and Optiflow Jr have been validated for use with the device (see Products above) using the circuit configurations shown below:

Proper use of these products depends on careful reading and understanding of labeling and instructions. Please refer to the appropriate device operation manual for guidance. Also refer to the gas delivery system (see below) operation manual or instructions for use.

**WARNING: The INOmax DS<sub>IR</sub> must only be used in accordance with the indications, usage, contraindications, warnings and precautions described in the INOMAX (nitric oxide for inhalation) drug package inserts and labeling.**

**WARNING: Do not use the Integrated Pneumatic Backup with breathing circuit gas flows less than 5 L/min, as the delivered INOMAX dose will be greater than 40 ppm.**

### Fisher & Paykel Airvo 2

The Airvo 2 has a flow generator internal to the device. The flow generator creates high flow rates which will enter through the filter on the back of the device before passing through the enclosed humidifier. Adding oxygen through the oxygen inlet port (see Figure 1 below) allows for supplementing the FiO<sub>2</sub> being delivered to the patient, but may not account for all of the gas flow going to the patient.

To combat room air from entering through the filter cover and diluting the nitric oxide level coming from the injector module, an air/oxygen blender must be used to drive the flow through the injector module and into the oxygen inlet port (see #11 in Figure 1).

By matching the flow rate on the air/oxygen blender with the flow setting on the Airvo 2, the monitored dose will equal the set dose.

**WARNING: Set the INOmax DS<sub>IR</sub> alarm thresholds for the current patient conditions to monitor any inadvertent changes in treatment.**

**Caution: Failure to match the air/oxygen blender flow rate with the Airvo 2 flow setting, will result in INOMAX levels delivered to the patient that are lower than the set dose.**

## Fisher & Paykel Airvo 2

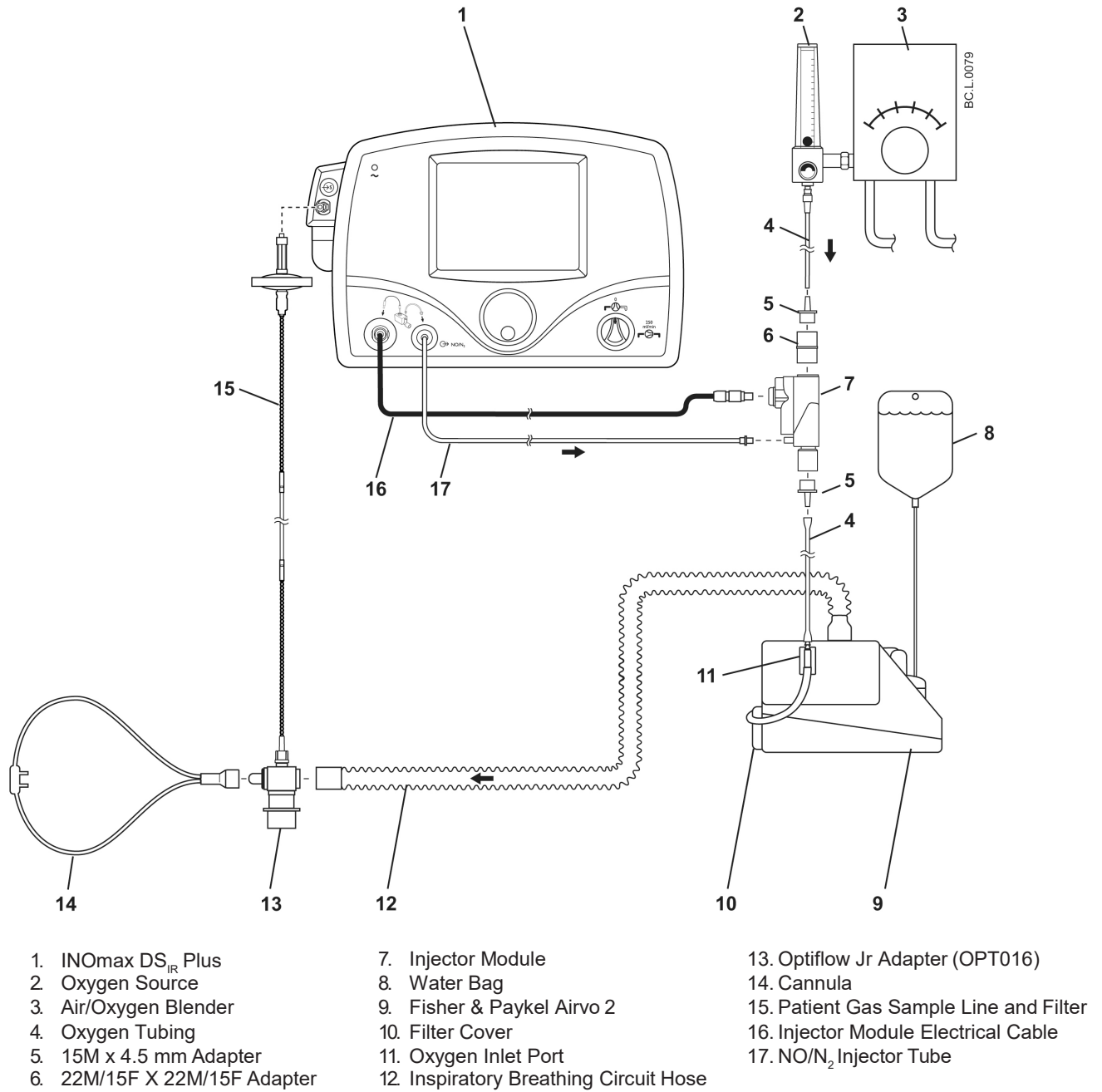
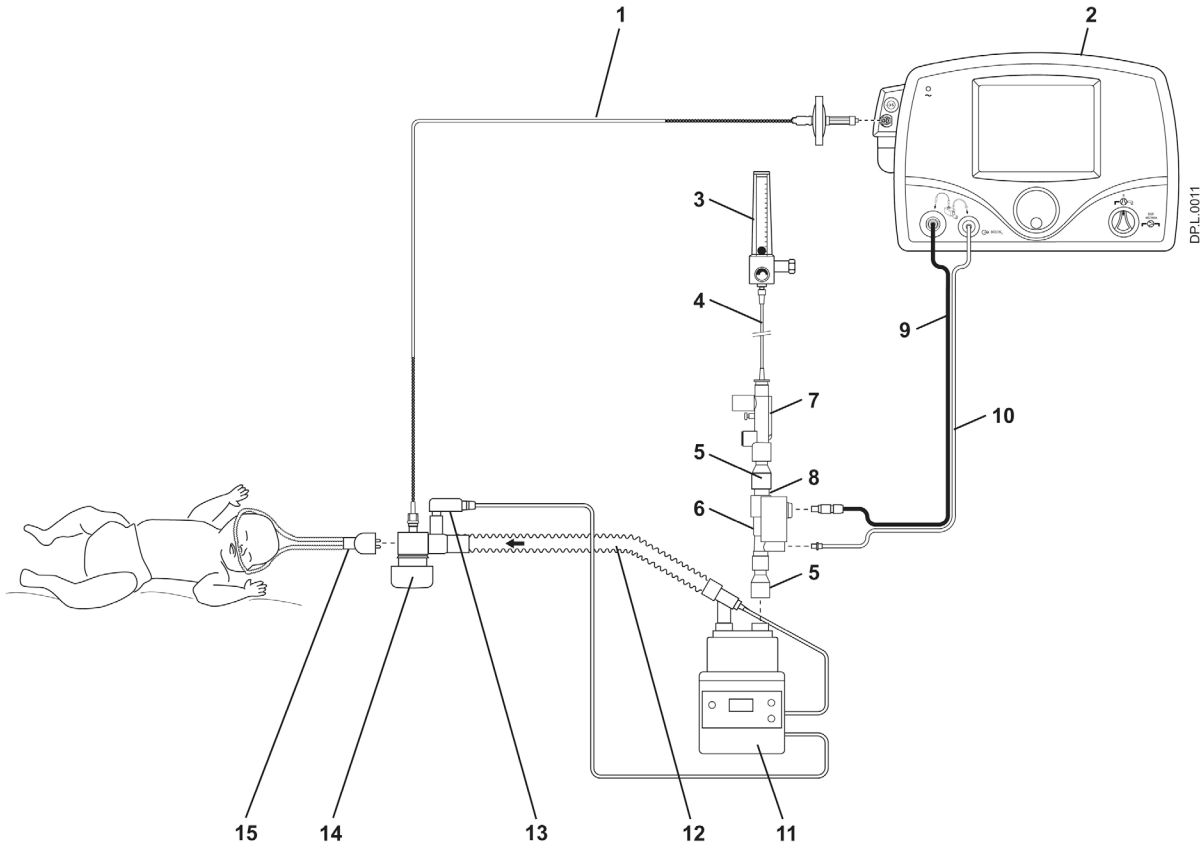


Figure 1: Airvo 2 Infant/Pediatric Setup

**Fisher & Paykel Optiflow Jr**



- |                                       |                                     |  |
|---------------------------------------|-------------------------------------|--|
| 1. Patient Gas Sample Line and Filter | 6. Injector Module                  | 11. Humidifier                               |
| 2. INOmax DS <sub>IR</sub> Plus       | 7. Pressure Relief Manifold         | 12. Breathing Circuit                        |
| 3. Oxygen Source                      | 8. 22M/15F X 22M/15F Adapter        | 13. Temperature Probe                        |
| 4. Oxygen Tubing                      | 9. Injector Module Electrical Cable | 14. Optiflow Junior Adapter<br>(REF: OPT016) |
| 5. 22F X 15M Adapter                  | 10. NO/N <sub>2</sub> Injector Tube | 15. Optiflow Junior Nasal Cannula            |

Figure 2: Optiflow Jr Infant/Pediatric Setup

For technical assistance regarding any of the above devices, please contact Product Support at 1-877-566-9466 (North America) or your specific country manager.

Mallinckrodt Manufacturing LLC  
6603 Femrite Drive,  
Madison, WI 53718-6801 USA

Mallinckrodt, the “M” brand mark and the Mallinckrodt Pharmaceuticals logo are trademark of a Mallinckrodt company. Other brands are trademarks of a Mallinckrodt company or their respective owner. ©2020 Mallinckrodt.

